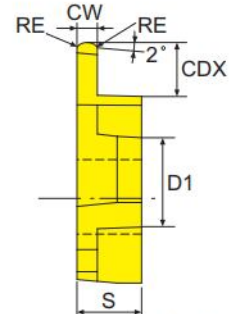
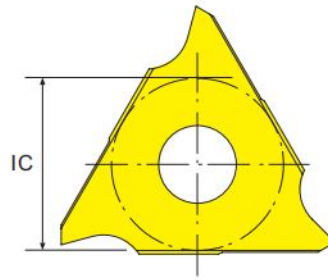



- 標準庫存      \* 僅限中國地區銷售      ◎僅限台灣地區銷售
- Standard Stocks    \* Sell in China only      ◎Sell in Taiwan only
- ◆材質介紹→參考A04頁  
Grade Ref. Page-A04
- ◆斷削槽選擇→參考A06-A08頁  
Chipbreaker Ref. Page-A06-A08
- ◆切削條件→參考A09頁  
Cutting condition Ref. Page-A09

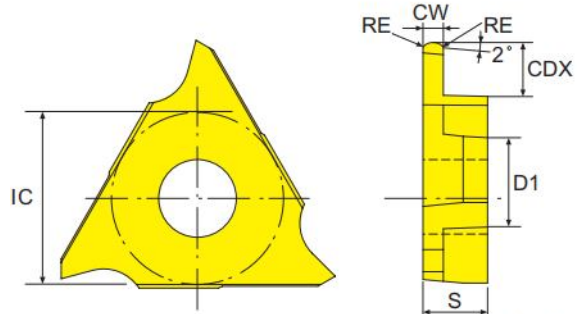


塗層硬質合金 金屬陶瓷  
Carbide Coated Cermet

形狀 Shape	型號 Model No	刀尖半徑 RE	內接圓 IC	最大加工槽溝深度 CDX	切削寬度 CW±0.05	刀片厚度 S	螺釘孔徑 D1	材料	
								P M	E1200
	EC16R100-R005	0.05	9.525	2	1	3.18	4.4	●	●
	EC16R125-R02	0.2	9.525	2	1.25	3.18	4.4	●	●
	EC16R145-R02	0.2	9.525	2	1.45	3.18	4.4	●	
	EC16R150-R02	0.2	9.525	2	1.5	3.18	4.4	●	●
	EC16R175-R02	0.2	9.525	2	1.75	3.18	4.4	●	●
	EC16R185-R02	0.2	9.525	2.5	1.85	3.18	4.4	●	
	EC16R200-R02	0.2	9.525	2.5	2	3.18	4.4	●	●
	EC16R250-R02	0.2	9.525	2.5	2.5	3.18	4.4	●	
	EC16R300-R02	0.2	9.525	3	3	3.18	4.4	●	●
	EC22R100-R01	0.1	12.7	2	1	4.76	5.5	●	●
	EC22R125-R02	0.2	12.7	2	1.25	4.76	5.5	●	●
	EC22R130-R02	0.2	12.7	2	1.3	4.76	5.5	●	●
	EC22R140-R02	0.2	12.7	2	1.4	4.76	5.5	●	●
	EC22R145-R02	0.2	12.7	2	1.45	4.76	5.5	●	●
	EC22R150-R02	0.2	12.7	3.5	1.5	4.76	5.5	●	●
	EC22R175-R02	0.2	12.7	3.5	1.75	4.76	5.5	●	●
	EC22R185-R02	0.2	12.7	3.5	1.85	4.76	5.5	●	●
	EC22R200-R02	0.2	12.7	3.5	2	4.76	5.5	●	●
	EC22R230-R02	0.2	12.7	3.5	2.3	4.76	5.5	●	●
	EC22R250-R03	0.3	12.7	4	2.5	4.76	5.5	●	●
	EC22R280-R03	0.3	12.7	4	2.8	4.76	5.5	●	●
	EC22R300-R03	0.3	12.7	4	3	4.76	5.5	●	●
	EC22R350-R03	0.3	12.7	5	3.5	4.76	5.5	●	●
	EC22R400-R04	0.4	12.7	5	4	4.76	5.5	●	●

# EC

- 標準庫存      \* 僅限中國地區銷售      ◎僅限台灣地區銷售
- Standard Stocks      \* Sell in China only      ◎Sell in Taiwan only
- ◆材質介紹→參考A04頁  
Grade Ref. Page-A04
- ◆斷削槽選擇→參考A06-A08頁  
Chipbreaker Ref. Page-A06-A08
- ◆切削條件→參考A09頁  
Cutting condition Ref. Page-A09



塗層硬質合金 金屬陶瓷  
Carbide Coated Cermet

形狀 Shape	型號 Model No	刀尖半徑 RE	內接圓 IC	最大加工槽溝深度 CDX	切削寬度 CW±0.05	刀片厚度 S	螺釘孔徑 D1	材料	
								P M	E1200
	EC16R100R	0.5	9.525	2	1	3.18	4.4	●	
	EC16R150R	0.75	9.525	2	1.5	3.18	4.4	●	
	EC16R200R	1	9.525	2.5	2	3.18	4.4	●	
	EC16R300R	1.5	9.525	3	3	3.18	4.4	●	
	EC22R100R	0.5	12.7	2	1	4.76	5.5	●	●
	EC22R150R	0.75	12.7	3.5	1.5	4.76	5.5	●	●
	EC22R200R	1	12.7	3.5	2	4.76	5.5	●	●
	EC22R250R	1.25	12.7	4	2.5	4.76	5.5	●	●
	EC22R300R	1.5	12.7	4	3	4.76	5.5	●	●
	EC22R400R	2	12.7	5	4	4.76	5.5	●	●